


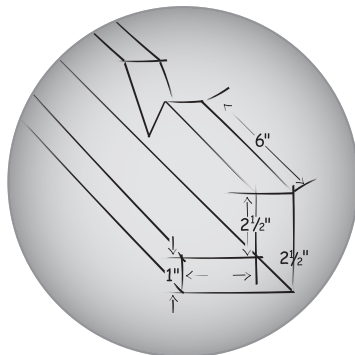
EDGE FOAM® PROTECTORS VALUE PROPOSITION

Edge Foam protectors protect and cushion product edges from damage while protecting the product surface without scratching.

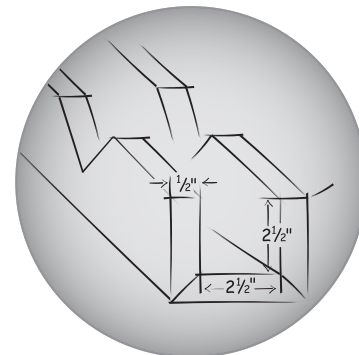
The flexible L- or U-shape channels enable the structure to wrap around corners and edges and still provide a snug fit.



Features and Benefits:	Results:
Clean, nonabrasive material properties.	No product scratching or marring, superb surface protection.
High cushioning and compression strength.	Maintains thickness and minimizes shock and vibration during shipping and transport.
Flexible and resilient.	Easy to use and re-use, crushproof, non-abrasive and chemically inert.
Homogeneous LDPE 4.  LDPE	100% Recyclable.
Custom capabilities provide the protection most appropriate for the application.	<ul style="list-style-type: none"> Offers protection for asymmetrical shapes. 90-degree angles can be notched to meet your requirements.

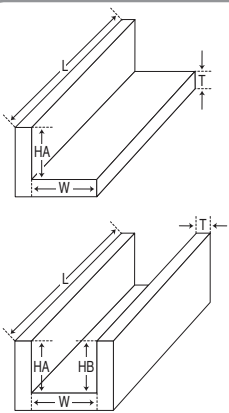


- 2 1/2" x 2 1/2" L-shape
- 1" thick polyethylene foam
- Precision notch fits corner



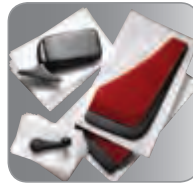
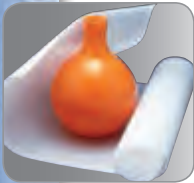
- 2 1/2" x 2 1/2" x 2 1/2" U-shape
- 1/2" thick polyethylene foam
- Double notch fits corner

Dimension	Edge Foam L-Shape	Edge Foam U-Shape
Thickness (T)	3/8", 1/2", 1"	
Length (L)	6" to 1800"	
Width (W)	3/4" to 29"*	7/8" to 26"*
Height - Leg A (HA)	3/4" to 4 3/4"*	3/4" to 4 3/4"*
Height - Leg B (HB)	N/A	3/4" to 4 3/4"*
Color/Density	Light Blue - 1.7 lbs./cubic ft.	
	White - 2.0 lbs./cubic ft.	
Notching	Up to one notch every 4" of part length	



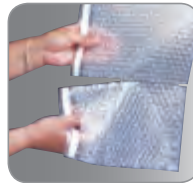
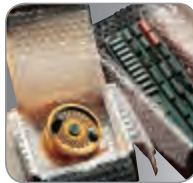
*Depending on thickness

PREGIS HAS A DEEP BREADTH AND WIDE ASSORTMENT OF PRODUCTS FOR YOUR ONE STOP PROTECTIVE PACKAGING SHOP. SAVE TIME AND HASSLE BY ORDERING ALL OF YOUR PROTECTIVE PACKAGING THROUGH PREGIS TODAY.



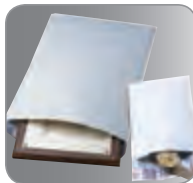
SHEET FOAM

Pregis is the largest manufacturer of sheet foam in North America, and the only one that can offer Microfoam® polypropylene sheet foam. We also have extensive lamination capability to create customized solutions to best meet customer needs.



AIR CUSHIONING

Pregis manufactures barrier bubble with outstanding performance properties. Pregis also offers unique solutions like customized roll widths up to 96" and EZ™ Bubble-Out™ bags-on-a-roll.



MAILERS

Pregis has a full range of mailers, enabling us to offer the right mailer solution for virtually any application. Cushioned or non-cushioned and paper or plastic materials are available.



OTHER UNIQUE OFFERINGS FROM PREGIS

Pregis offers a broad array of solutions suited to meet the needs of a multitude of packaging applications. Customers benefit from our expertise and our commitment to innovation. Our products, dedicated service teams and sales support are a testament to our value-added customer centered approach.



WORLD CLASS CUSTOMER SERVICE

Contact Pregis protective packaging solutions:
877.692.6163
www.pregis.com

