

Foam-in-place polyurethane is molded in real-time by combining two liquid foams in a pre-fabricated mold, high density polyethylene (HDPE) bag or film. The mixture expands rapidly around the product being protected, creating a custom protective shell.

Foam-in-place is a trusted packaging technology offering the following benefits:

- Highest degree of product protection available
- Work simpler and smarter for maximum productivity
- Reduce or eliminate damage expense
- Maximize space and cost efficiency
- Increase consumer confidence



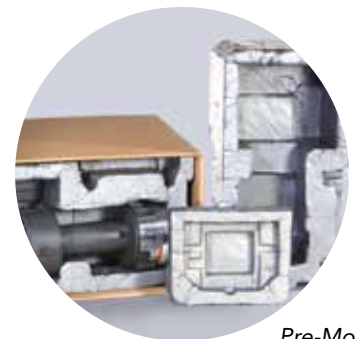
Void Fill



Blocking and Bracing



Cushioning



Pre-Molds



IntelliPack systems feature the most cost-effective, time-efficient foam-in-place packaging technology in the industry. Only Pregis IntelliPack offers the advantages of foam-in-place with our **5 Degrees of Separation** from the competition:

- 1 Telemetry**
- 2 Bar-Coding**
- 3 Equipment Design**
- 4 Customer Focus**
- 5 The Advantage Program**

Contact Pregis protective packaging solutions: 866.692.2166 • www.intellipack.com